

Pressure balanced valve -

35 920 970 90



- integrated pre-seals
- red brass, lead-free
- 2x back flow preventer
- 3x outlet G 1/2"
- 2x inlet G 1/2"
- dust cover
- anti-water packing
- sound and thermal insulation
- suitable for xGRID (when using installation track + 12 mm recess depth)



Pressure balanced valve -

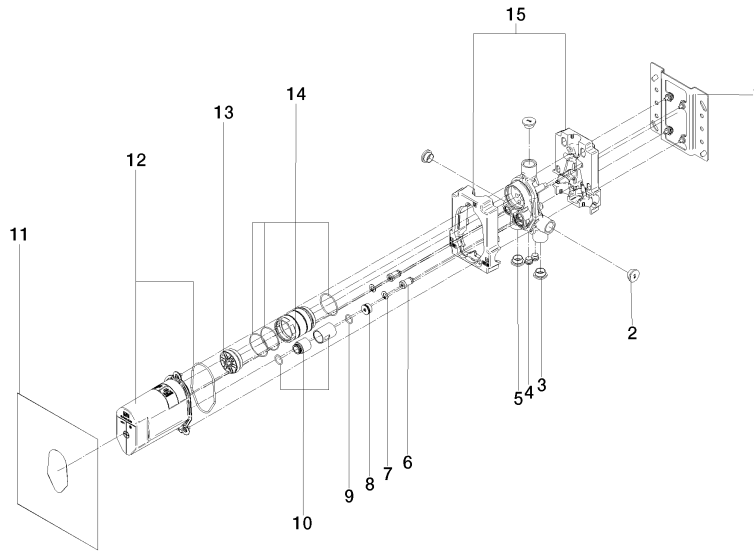
35 920 970 90

Certificates

IAPMO_4976 (8).

Pressure balanced valve -

35 920 970 90



Spare parts list

No.	Item Number	Name	Quantity used	Delivery time
1	04 17 20 128 00 90	holder	1	2
2	09 31 20 092 90	plug	3	2
3	09 31 20 094 90	plug	1	2
4	04 31 20 039 11 90	plug	2	2
5	09 31 20 093 90	plug	1	2
6	04 24 03 223 00 90	insert	2	2
7	09 16 01 014 90	ring	2	2
8	09 31 20 098 90	plug	1	2
9	90 14 10 055 00 90	seal	1	2
10	90 17 01 189 00 90	sleeve	1	2
11	04 14 03 155 00 90	gasket kit	1	2
12	90 21 02 148 00 90	cap	1	2
13	04 31 20 100 00 90	plug	1	2
14	90 17 01 357 00 90	sleeve	1	2
15	09 11 11 058 90	accessories	1	2